

red-y smart pressure controller product information



**Electronic pressure controller
with integrated flow measurement**

Pressure and flow in a single device:

Electronic pressure controller for gases with integrated flow measurement

The new electronic red-y smart pressure controllers combine the reliable technology our of thermal mass flow controllers with electronic pressure control.

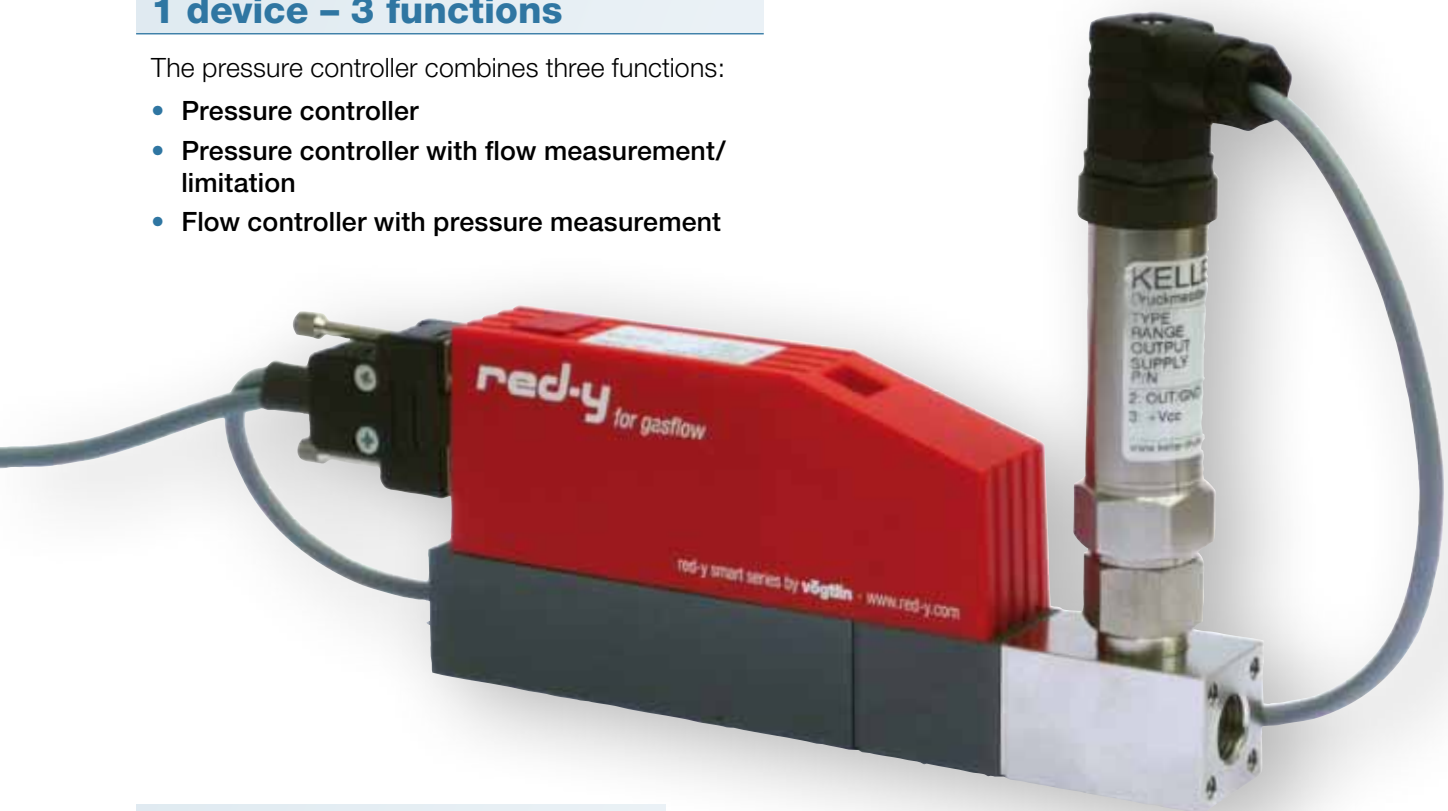
The devices automatically control a predefined process pressure and at the same time measure and/or limit the flow rate.

On-the-fly switching between pressure control and flow control offers maximum flexibility.

1 device – 3 functions

The pressure controller combines three functions:

- Pressure controller
- Pressure controller with flow measurement/ limitation
- Flow controller with pressure measurement



Instrument versions

- Integrated pressure control
Accuracy: $\pm 0.5\%$ of full scale
- Integrated back pressure control
Accuracy: $\pm 0.5\%$ of full scale
- Pressure control with external pressure transmitters
- Pressure controller with gas mixer function

It's a red-y smart

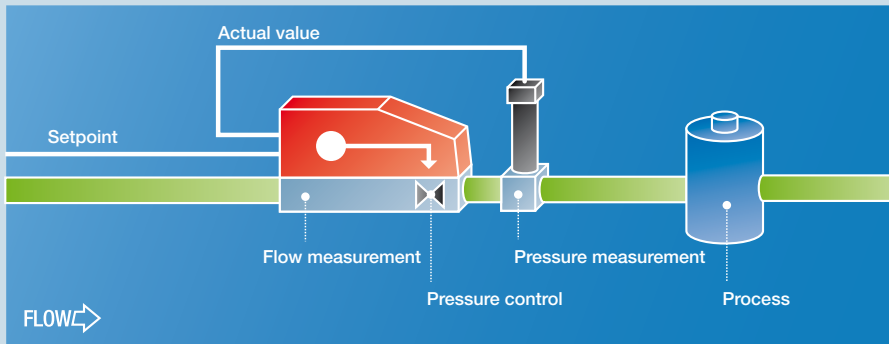
The pressure controllers combine the innovative equipment design of the red-y smart series with the development competence of Vögtlin Instruments AG.

High-quality components ensure long and trouble-free operation.



Pressure control

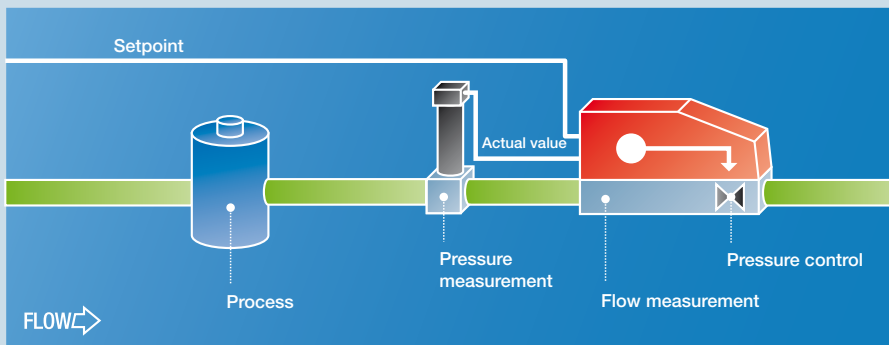
In this application the electronic pressure controller regulates a digitally specified set pressure value. The flow rate depends on the process consumption. Maximum flow limitation enables pressure control of stable gas mixtures, for example.



Application example:
Pressure control of a pressure vessel containing a stable gas mixture for laser gas or welding applications.

Back pressure control

In this configuration the effect of the control valve is reversed. The process generates a certain pressure, which must be readjusted.



Application example:
Overpressure control of a sterile chamber. The flow rate is used as a leakage indicator.

Wide range of accessories – ready for operation

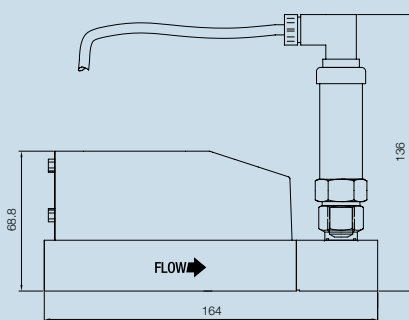
Connection cables, power supplies, software «get red-y»

Optimal range of cables and power supply units for fast integration of the pressure controllers. With the free software «get red-y» you can easily define functions and parameters.

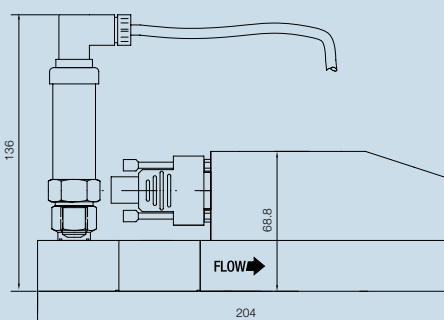
Fittings, filters

All flow meters and controllers are available with fittings and filters.

Dimensions G $\frac{1}{4}$ " *




red-y smart pressure controller GSP



red-y smart back pressure controller GSB

*Dimensions G $\frac{1}{2}$ " on request

Technical Data «red-y smart pressure controller»

Instrument types																										
	red-y smart pressure controller GSP <i>Electronic pressure controller</i>	red-y smart back pressure controller GSB <i>Electronic back pressure controller</i>																								
	Pressure controller with external transmitter and customer-specific solutions on request																									
Instrument versions flow	<p>«Standard» – The economic solution</p> Accuracy: $\pm 1.0\%$ of full scale Turndown ratio: 1 : 50 <p>«Hi-Performance» – With highest accuracy and turndown ratio</p> Accuracy: $\pm 0.3\%$ of full scale + $\pm 0.5\%$ of reading Turndown ratio: 1 : 100 for GSM < 200 lN/min / GSC < 150 lN/min (air)																									
Instrument versions pressure	<p>Pressure control</p> Accuracy: $\pm 0.5\%$ of full scale <p>Back pressure control</p> Accuracy: $\pm 0.5\%$ of full scale <p>Differential pressure controller according to customer specifications</p>																									
Measuring ranges flow (Air)	<table border="1"> <thead> <tr> <th>Full scale freely selectable</th> <th>Type</th> <th>Measuring range (Air)</th> <th>Connection</th> </tr> </thead> <tbody> <tr> <td>pressure controller GSP</td> <td>GSX-A</td> <td>from 0 ... 25 mlN/min to 0 ... 600 mlN/min</td> <td>G$\frac{1}{4}$"</td> </tr> <tr> <td>back pressure controller GSB</td> <td>GSX-B</td> <td>from 0 ... 600 mlN/min to 0 ... 6000 mlN/min</td> <td>G$\frac{1}{4}$"</td> </tr> <tr> <td></td> <td>GSX-C</td> <td>from 0 ... 6 lN/min to 0 ... 60 lN/min</td> <td>G$\frac{1}{4}$"</td> </tr> <tr> <td></td> <td>GSX-D</td> <td>from 0 ... 60 lN/min to 0 ... 450 lN/min</td> <td>G$\frac{1}{2}$"</td> </tr> <tr> <td></td> <td></td> <td colspan="2">Other ranges on request</td> </tr> </tbody> </table>		Full scale freely selectable	Type	Measuring range (Air)	Connection	pressure controller GSP	GSX-A	from 0 ... 25 mlN/min to 0 ... 600 mlN/min	G $\frac{1}{4}$ "	back pressure controller GSB	GSX-B	from 0 ... 600 mlN/min to 0 ... 6000 mlN/min	G $\frac{1}{4}$ "		GSX-C	from 0 ... 6 lN/min to 0 ... 60 lN/min	G $\frac{1}{4}$ "		GSX-D	from 0 ... 60 lN/min to 0 ... 450 lN/min	G $\frac{1}{2}$ "			Other ranges on request	
Full scale freely selectable	Type	Measuring range (Air)	Connection																							
pressure controller GSP	GSX-A	from 0 ... 25 mlN/min to 0 ... 600 mlN/min	G $\frac{1}{4}$ "																							
back pressure controller GSB	GSX-B	from 0 ... 600 mlN/min to 0 ... 6000 mlN/min	G $\frac{1}{4}$ "																							
	GSX-C	from 0 ... 6 lN/min to 0 ... 60 lN/min	G $\frac{1}{4}$ "																							
	GSX-D	from 0 ... 60 lN/min to 0 ... 450 lN/min	G $\frac{1}{2}$ "																							
		Other ranges on request																								
Measuring ranges pressure	<p>Full scale gauge pressure 0.5 bar g, 1 bar g, 2 bar g, 5 bar g, 10 bar g</p> <p>Full scale absolute pressure 1.2 bar a, 2 bar a, 5 bar a, 10 bar a</p>																									
Performance data	<p>Media (real gas calibration) Air, O₂, N₂, He, Ar, CO₂, H₂, CH₄, C₃H₈ Other gases and gas mixtures on request</p> <p>Response time 50 ms</p> <p>Repeatability $\pm 0.2\%$ of full scale</p> <p>Longterm stability < 1% of measured value / year</p> <p>Power supply 24 Vdc (18 – 30 Vdc), 15 Vdc on request</p> <p>Current consumption max. 250mA</p> <p>Temperature (environment/gas) 0 – 50°C</p> <p>Materials Anodized aluminium, optional stainless steel electropolished</p> <p>Seals FKM, optional EPDM</p> <p>Pressure sensitivity < 0.2% / bar of reading (typical N₂)</p> <p>Temperature sensitivity < 0.025% FS measuring range type / °C</p>																									
Integration	<p>Output signals</p> <p><i>analog</i> (for actual value flow only) 0..20 mA, 4..20 mA, 0..5 V, 1..5 V, 0..10 V, 2..10 V</p> <p><i>digital</i> (for pressure and flow) RS-485; Modbus RTU (Slave); Lab View-VI's available Option: ProfiBus DP-V0, DP-V1</p> <p>Process connection G$\frac{1}{4}$" female less than 60 lN/min, G$\frac{1}{2}$" female less than 450 lN/min</p> <p>Inlet section None required</p> <p>Electrical connection Sub D plug, 9 pole</p> <p>Mounting orientation Any orientation (horizontal only above 5 bar)</p>																									
Safety	<p>Test pressure 16 bar a</p> <p>Leak rate < 1 x 10⁻⁶ mbar l/s He</p> <p>Environmental protection IP-50</p> <p>EMC EN 61326-1</p>																									

Do you have any questions about our products?

Give us a call:

+41 (0)61 756 63 00

Or write us an e-mail:

info@voegtlin.com

You will find your local Vögtlin sales partner on the internet:

www.voegtlin.com

Vögtlin Instruments AG – flow technology

Langenhagstrasse 1 | 4147 Aesch (Switzerland)

Phone +41 (0)61 756 63 00 | Fax +41 (0)61 756 63 01

www.voegtlin.com | info@voegtlin.com

vögtlin 
instruments