



DSPTM Series

Digital signal probe



DSP low cost high performance probe for temperature and humidity with built-in online calibration technology, single-point and multi-points calibration possible, supporting analog signals and digital signals output. Furthermore, DSP probe is compatible with Rotronic and Vaisala's probe protocol, widely applied to all kinds of industrial data collectors, data loggers, transmitters, PLC and DCS systems, etc.

More info please visit www.zoglab.cn



DSP1800

Digital Temperature and Humidity Probe

Specifications

- High accuracy with measuring range customized
- Optional analog signal and digital signal
- Single-point and multi-point calibration
- Compatible with Rotronic and Vaisala's probe command
- Optional interface M12 , RJ45 and 8 wire
- Toxicity and halogen free material , complying with GXP

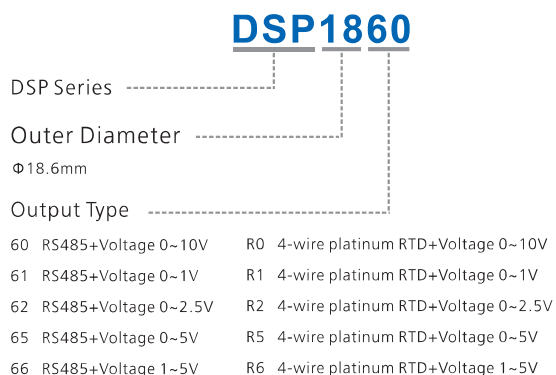
Measuring Data	
T Measuring range	-30°C~70°C, -40°C~60°C, (-40°C~85°C Configurable)
T Accuracy	±0.1°C(23°C±2°C), full scale ±0.2°C
T Resolution	0.01°C/0.02°F
RH Measuring range	0%~100%RH
RH Accuracy	±2.5%RH(10%~85%RH), other range ±5%RH (Testing environment 23°C±2°C)
RH Resolution	0.01%RH

Sensing Probe	
T Sensor model	NTC/PT100
RH Sensor model	Humidity capacitance

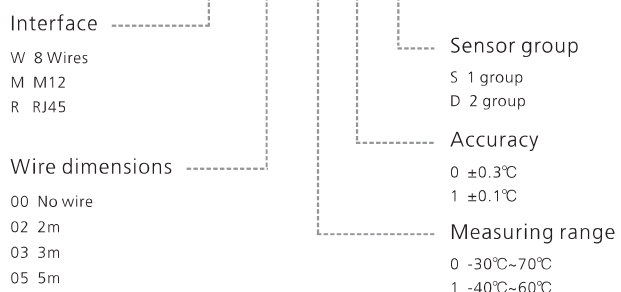
General	
Power supply	5V~28V DC (0~5V 8V DC~28V DC 0~10V 14V DC~28V DC)
Output type	Analog signal: Voltage 0~1V / 0~2.5V / 0~5V / 0~10V Digital signal: RS485
Interface	M12, RJ45, 8 Wires
Storage temperature	-50°C~90°C
ESD Protection	±25KV
IP Class	IP64
Certificates	CE, FCC, VCCI, C-TICK

General Features	
Housing	ABS+PC, flame-retardant, toxicity and halogen free
Dimensions	Φ 18.6×140mm
Wire	2m / 3m / 5m (customized)
Weight	26g (No wire)

Model Selection Guide



DSP1860-W-02-0-0-S



Dimensions (Unit:mm)

